

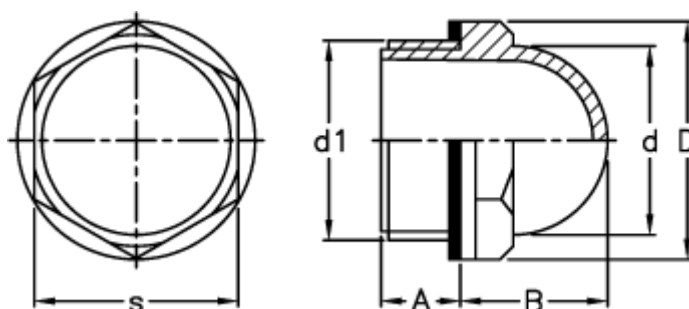
# Data Sheet



Article number: 2311011111

Description: E+G Oil circulation sight  
HCFE.30-1.1/4

## Measures



A	= 11.5
B	= 26.5
d	= 38
D	= 46.5
d1	= G 1 1/4
s	= 40.5
Tightening torque N m = 12 to 15	